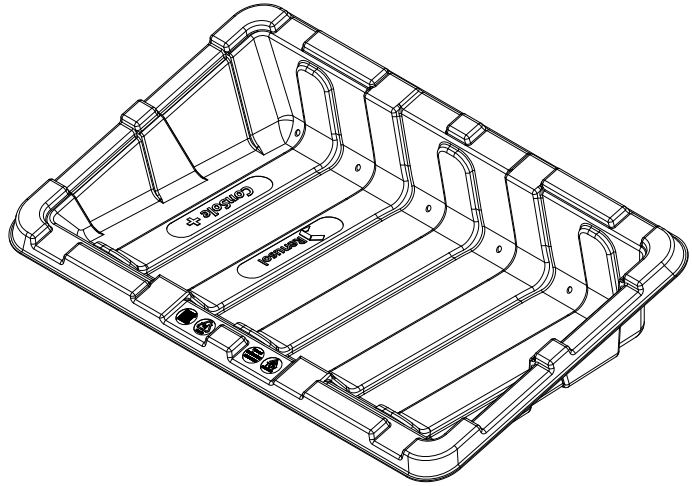


Technical Datasheet

ConSole+



General

System	PV-Mountingsystem with ballast, without roof-penetration
Application area	flat roofs and ground mounting
Material	HDPE, Aluminum and stainless steel
Module pitch	15°
Weight	approx. 7,9 kg (Streamliner+ ~ 2,0 kg)
Dimensions	Width: 1,730mm, Depth: 1,100 mm, Height: 390mm
Roof slope	max. 5°
Ambient temperature range	-30°C to +50°C

Modules

Type	framed PV-modules
Module length	length: 1,550mm - 1,730mm
Distance mounting holes	long side: 690 - 1180 mm, short side: 895 - 1014
Orientation	landscape
Compatibility	Framed modules IEC 61215 / 61646 and IEC61730, with mounting holes in frame

Scope of delivery

1 Set ConSole+	1x ConSole+, 2x U-Profiles, 4x Hexagon screws M6x20mm A2-70, 4x Washer DIN9021 - 6,4-A2, 4x self-locking hexag. nut DIN985 - M6-A2, 4x ConSole Clip, 4x Hexagon screw DIN7504 - ST5,5x25-A2-SW8
Optional components	Streamliner+

Tests & certifications

Fire resistance	MPA Dresden
UV resistance	KIMW Kunststoff Institut Lüdenscheid
DiBT	In progress
Wind loads	Determined in wind tunnel tests by Ruschwey Consult GmbH
TÜV (DE)	In progress

Services

Product warranty	10 years
Training	yes / on-site on request
Web configurator	yes
Support	by phone, online, on-site