

Technical specification

Solar panel CanadianSolar Mono

Cs1H - 320 | 325 | 330 | 335 Ms

320 w ~ 335 w



PRODUCT WEBPAGE



MORE POWER



Maximize the light absorption area, module efficiency up to 19.86 %



Low NMOT: 42 ± 3 °C
Low temperature coefficient (Pmax): -0.37 % / °C



Better shading tolerance

MORE RELIABLE



Lower internal current, lower hot spot temperature



Cell crack risk limited in small region, enhance the module reliability



Heavy snow load up to 5400 Pa, wind load up to 2400 Pa



Linear power output warranty



Product warranty on materials and workmanship

MANAGEMENT SYSTEM CERTIFICATES*

ISO 9001:2015 / Quality management system

ISO 14001:2015 / Standards for environmental management system

OHSAS 18001:2007 / International standards for occupational health & safety

PRODUCT CERTIFICATES*

IEC 61215 / IEC 61730: VDE / CE / CEC AU

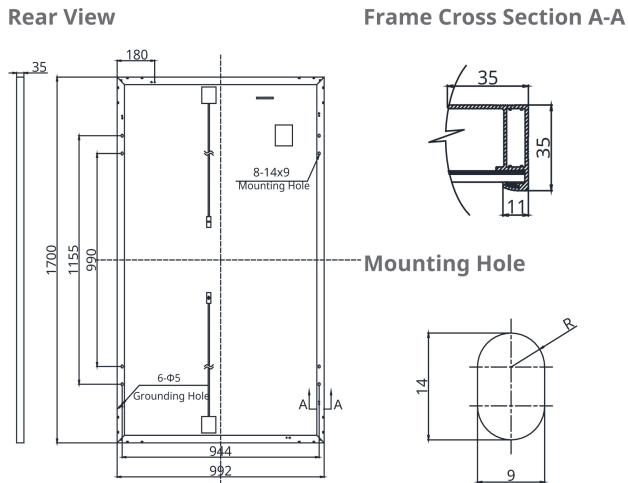
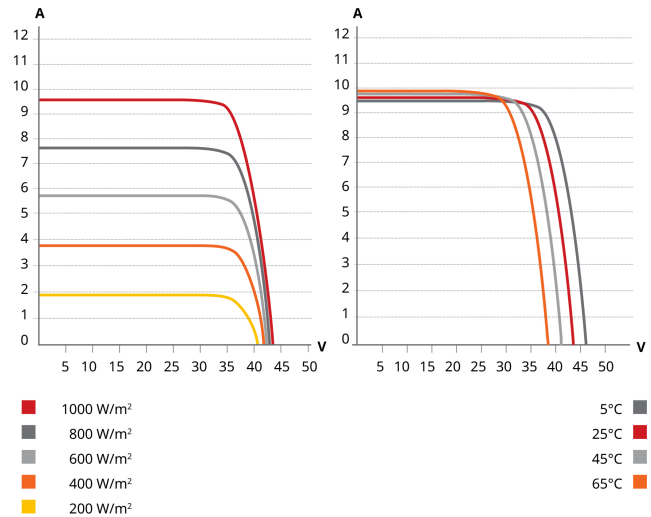
IEC61701 ED2: VDE / IEC62716: VDE

UL 1703: CSA

Take-e-way



* We can provide this product with special BOM specifically certified with salt mist, and ammonia tests. Please talk to our local technical sales representatives to get your customized solutions.

ENGINEERING DRAWING (mm)

CS1H-330MS / I-V CURVES

ELECTRICAL DATA | STC*

Cs1H	320Ms	325Ms	330Ms	335Ms
Nominal Max. Power (Pmax)	320 W	325 W	330 W	335 W
Opt. Operating Voltage (Vmp)	35.6 V	35.8 V	36.0 V	36.2 V
Opt. Operating Current (Imp)	9.00 A	9.09 A	9.18 A	9.27 A
Open Circuit Voltage (Voc)	43.3 V	43.4 V	43.5 V	43.6 V
Short Circuit Current (Isc)	9.51 A	9.58 A	9.65 A	9.73 A
Module Efficiency	18.98 %	19.27 %	19.57 %	19.86 %
Operating Temperature	-40°C ~ +85°C	-40°C ~ +85°C	-40°C ~ +85°C	-40°C ~ +85°C
Max. System Voltage	1500V (IEC) or 1000V (IEC/UL)	1500V (IEC) or 1000V (IEC/UL)	1500V (IEC) or 1000V (IEC/UL)	1500V (IEC) or 1000V (IEC/UL)
Module Fire Performance	TYPE 1 (UL 1703) or CLASS C (IEC 61730)	TYPE 1 (UL 1703) or CLASS C (IEC 61730)	TYPE 1 (UL 1703) or CLASS C (IEC 61730)	TYPE 1 (UL 1703) or CLASS C (IEC 61730)
Max. Series Fuse Rating	20 A	20 A	20 A	20 A
Application Classification	Class A	Class A	Class A	Class A
Power Tolerance	0 ~ +5 W	0 ~ +5 W	0 ~ +5 W	0 ~ +5 W

* Under Standard Test Conditions (STC) of irradiance of 1000 W/m², spectrum AM 1.5 and cell temperature of 25°C.

ELECTRICAL DATA | NMOT*

Cs1H	320Ms	325Ms	330Ms	335Ms
Nominal Max. Power (Pmax)	239 W	242 W	246 W	250 W
Opt. Operating Voltage (Vmp)	32.5 V	32.7 V	32.8 V	33.0 V
Opt. Operating Current (Imp)	7.35 A	7.42 A	7.50 A	7.57 A
Open Circuit Voltage (Voc)	40.7 V	40.8 V	40.9 V	41.0 V
Short Circuit Current (Isc)	7.67 A	7.73 A	7.78 A	7.84 A

* Under Nominal Module Operating Temperature (NMOT), irradiance of 800 W/m², spectrum AM 1.5, ambient temperature 20°C, wind speed 1 m/s.

MECHANICAL DATA

Specifications	Data
Cell Type	Mono-crystalline
Dimensions	1700 x 992 x 35 mm (66.9 x 39.1 x 1.38 in)
Weight	19.2 kg (42.3 lbs)
Front Cover	3.2 mm tempered glass
Frame	Anodized aluminium alloy
J-Box	IP67, 3 bypass diodes
Cable	4.0 mm ² (IEC), 12 AWG (UL)
Cable Length (Including Connector)	Landscape: 740 mm (29.1 in), portrait: 1350 mm (53.1 in) *
Connector	T4 series
Per Pallet	30 pieces
Per Container (40' HQ)	780 pieces

* For detailed information, please contact your local Canadian Solar sales and technical representatives.

TEMPERATURE CHARACTERISTICS

Specifications	Data
Temperature Coefficient (Pmax)	-0.37 % / °C
Temperature Coefficient (Voc)	-0.29 % / °C
Temperature Coefficient (Isc)	0.05 % / °C
Nominal Module Operating Temperature	42 ± 3 °C

* The specifications and key features contained in this datasheet may deviate slightly from our actual products due to the on-going innovation and product enhancement. Canadian Solar Inc. reserves the right to make necessary adjustment to the information described herein at any time without further notice.



EVPower a.s.
Průmyslová 11, 102 19 Prague 10
Czech Republic, European Union